

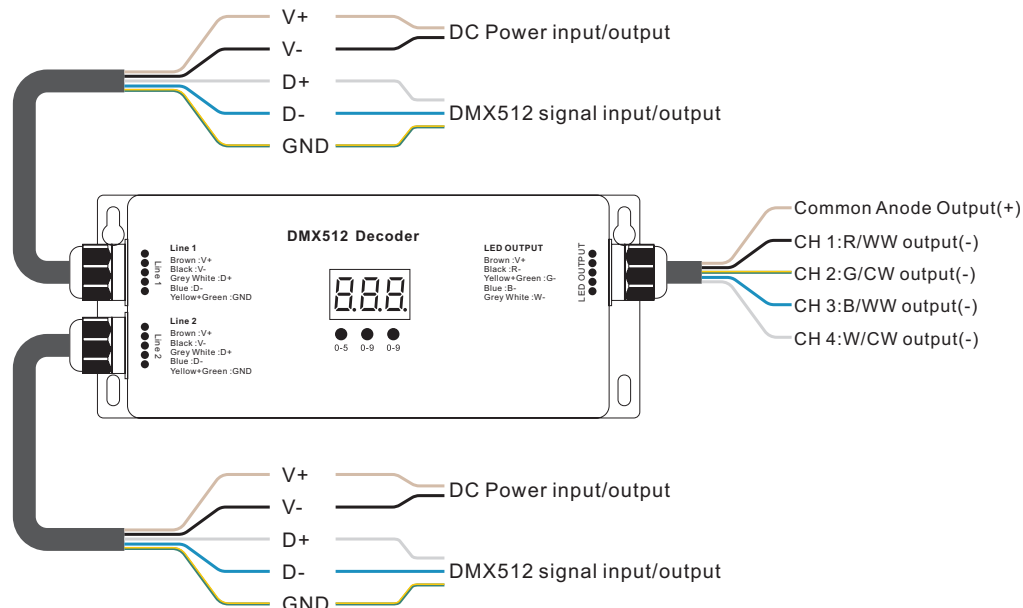
# Waterproof DMX512 decoder

09.2102W.04031



**Important:** Read All Instructions Prior to Installation

## Function introduction



## Product Data

No.	Input Voltage	Output Current	Output Power	Remarks	Size(LxWxH)
1	12-36VDC	4x5A	4x(60-180)W	Constant voltage	180.5x73.6x38mm
2	12-36VDC	4x350mA	4x(4.2-12.6)W	Constant current	180.5x73.6x38mm
3	12-36VDC	4x700mA	4x(8.4-25.2)W	Constant current	180.5x73.6x38mm

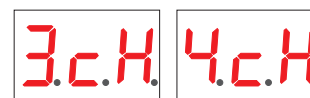
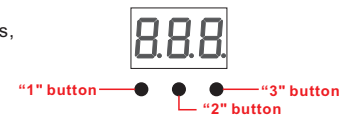
- Standard DMX512 compliant control interface, enable to set the DMX address freely. And show address Via digital numeric display.
- Two types available(Constant Voltage, Constant Current),suitable for different LED lamps.
- To work with power repeater to expand output power unlimitedly.
- Minimum load is 1 W
- Waterproof grade:IP67

## Safety & Warnings

- DO NOT install with power applied to device.
- This device is IP67 rating and protected against damp environment.

## Operation

Through buttons to set desired DMX512 address, **button 1** is to set "hundreds" position, **button 2** is to set "tens" position, **button 3** is to set "unit" position.



### Choose Channel

Press and hold down 2nd and 3rd buttons simultaneously for 2 seconds, cH digital display flashes, then click 1st button to choose 1/2/3/4, 3 means total 3 channels, 4 means total 4 channels. Press and hold down any button for >2 seconds to confirm the 1,2,3 or 4 channels. The factory preset default is 4 channels outputs.

### Set DMX address

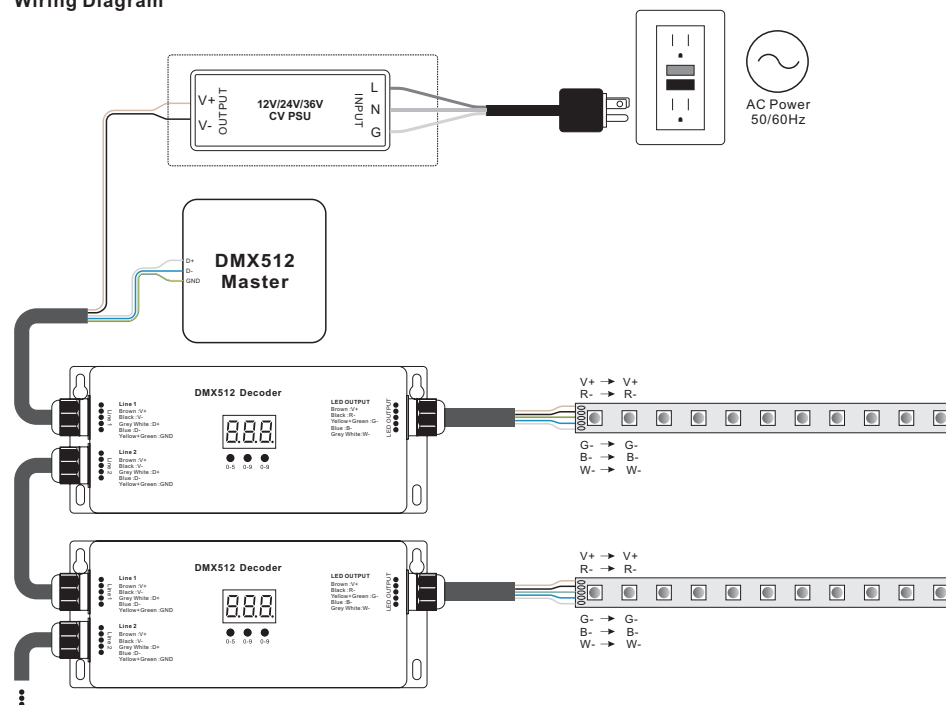
Press and hold down 1st button for 2 seconds, digital display flashes to set the required DMX address, then press and hold down any button for >2 seconds to confirm.



### Choose PWM frequency

Press and hold down 1st and 3rd buttons simultaneously for 2 seconds, digital display flashes to show P-c. P means PWM frequency, click 1st button to show, "1" means 1500Hz, "2" means 200Hz. c means dimming options, click 3rd button to show, "1" means logarithmic dimming, "2" means linear dimming. Press and hold down any button for >2 seconds to confirm the setting. The factory preset default is PWM frequency 1500Hz with linear dimming. **1-2**

## Wiring Diagram



**Product Dimension**

